

Options to include an
"implementation for policy makers"
section and figure in the discussion of
an article.

proposed by
PÉTER HEGYI, MAE

THE UNMET NEED

„Implication for policy makers”

A subchapter in the discussion section of scientific publications, simplifying main findings to easy-to-understand implications

A suggestion

Infographical representation of the most important elements of the study

THE METHODS

Efficacy, safety and cost are the most important aspects

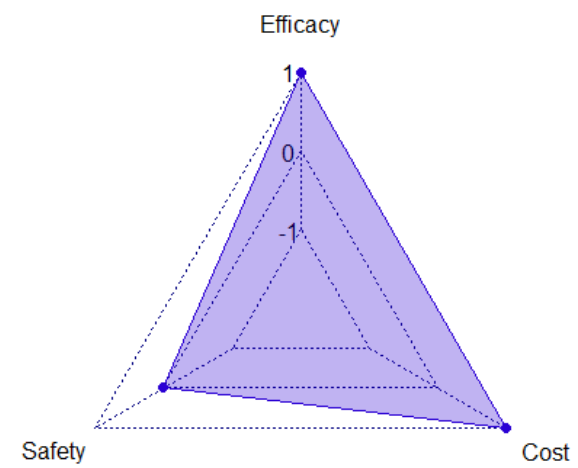
Decision-making relies first and foremost on these three key aspects

A visual aid in evaluating the intervention in comparison of the control

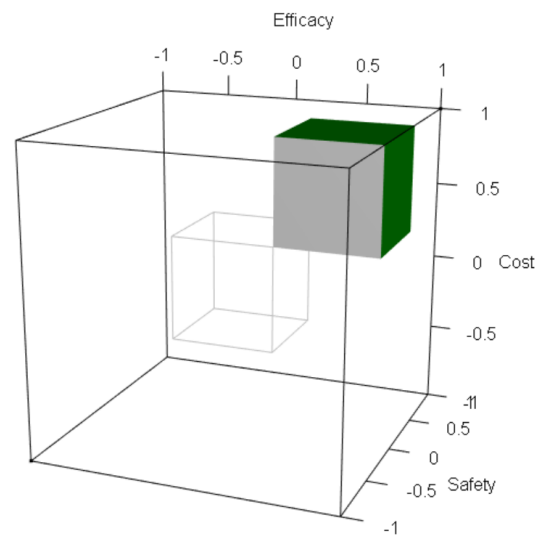
Colour and dimension carry the information

- Green: better effect / safer / lower cost
- Yellow/grey: similar effect / similar in safety / similar in cost
- Red: worse effect / harmful / higher cost
- Grey: undecidable

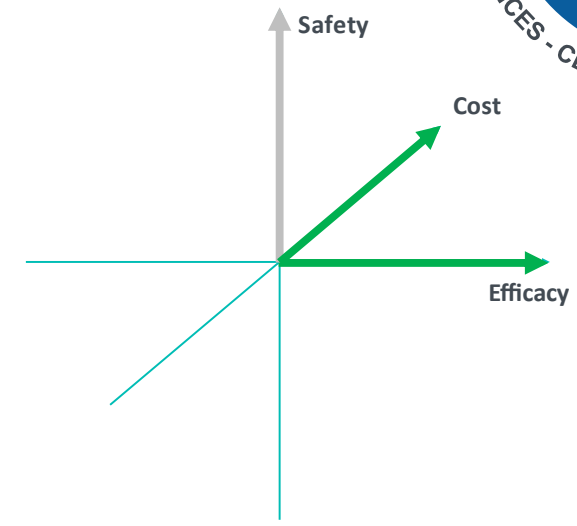
VISUALIZATION OPTIONS



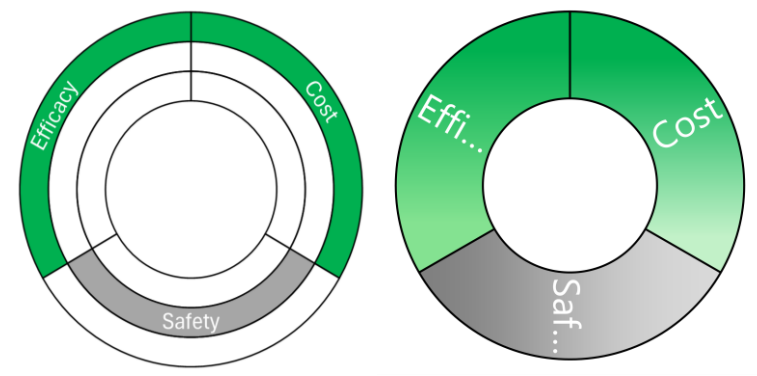
Radar plot



Cube representation



Arrow graph



Ring diagram



Infographics

RING DIAGRAM VERSIONS

